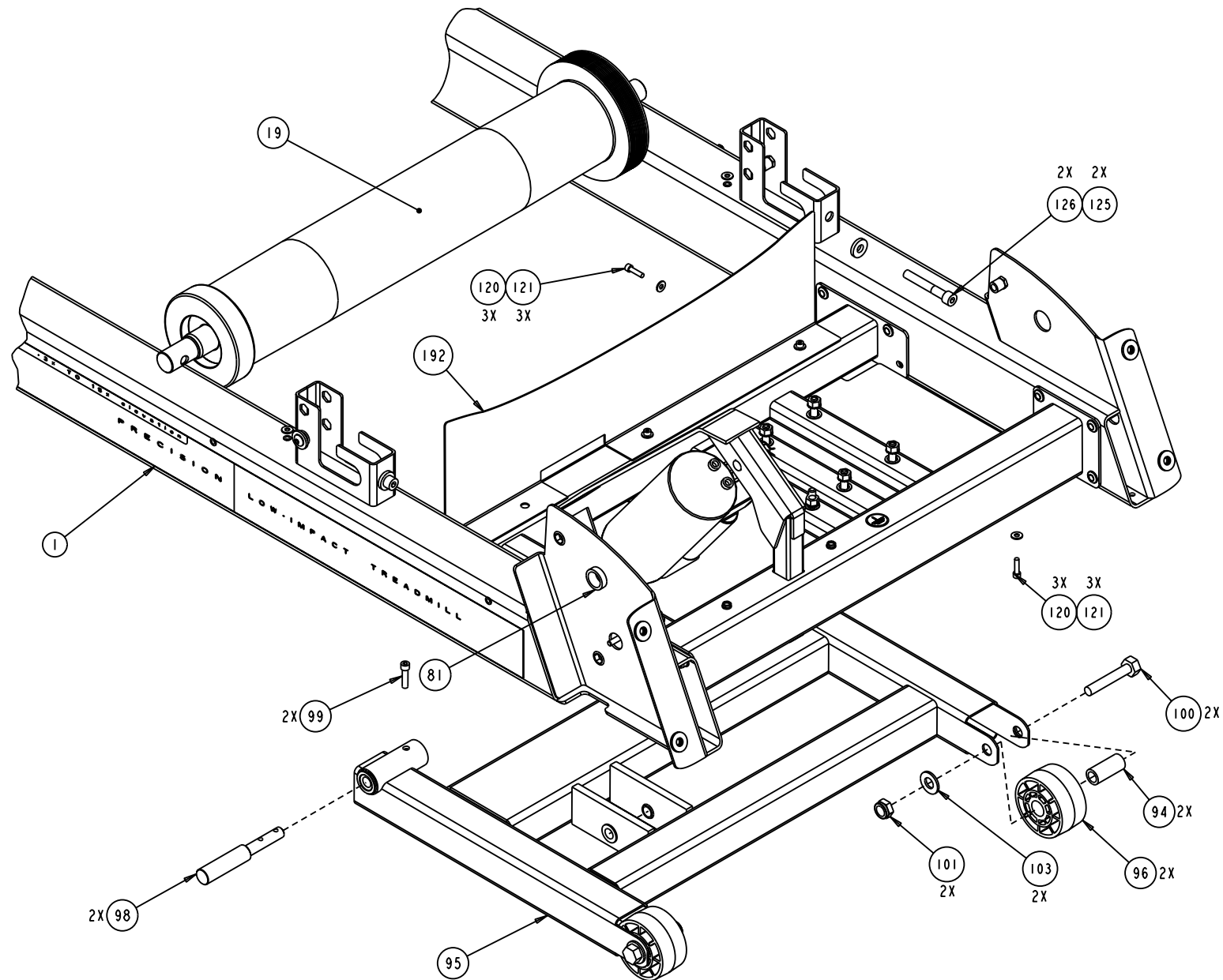
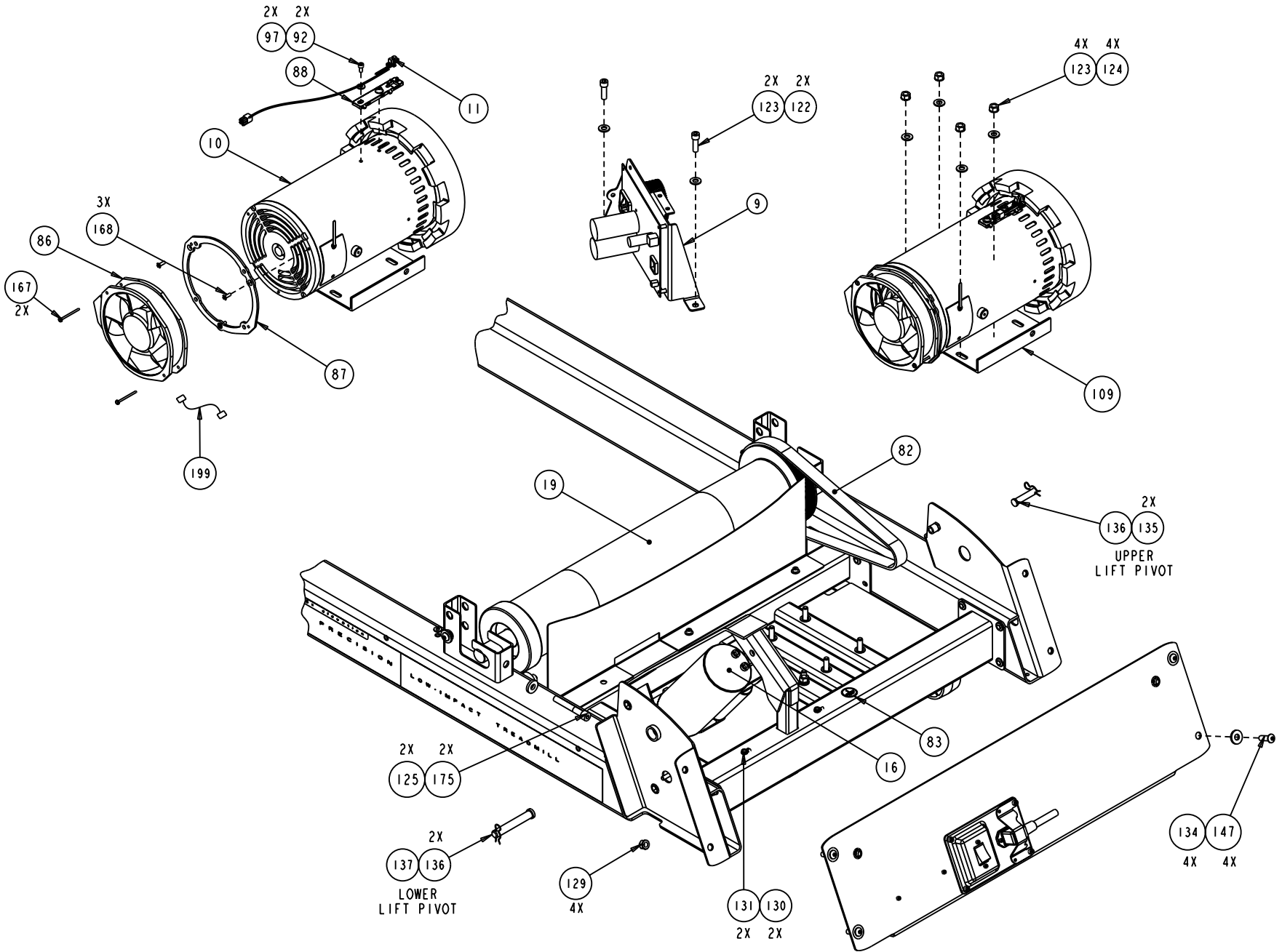
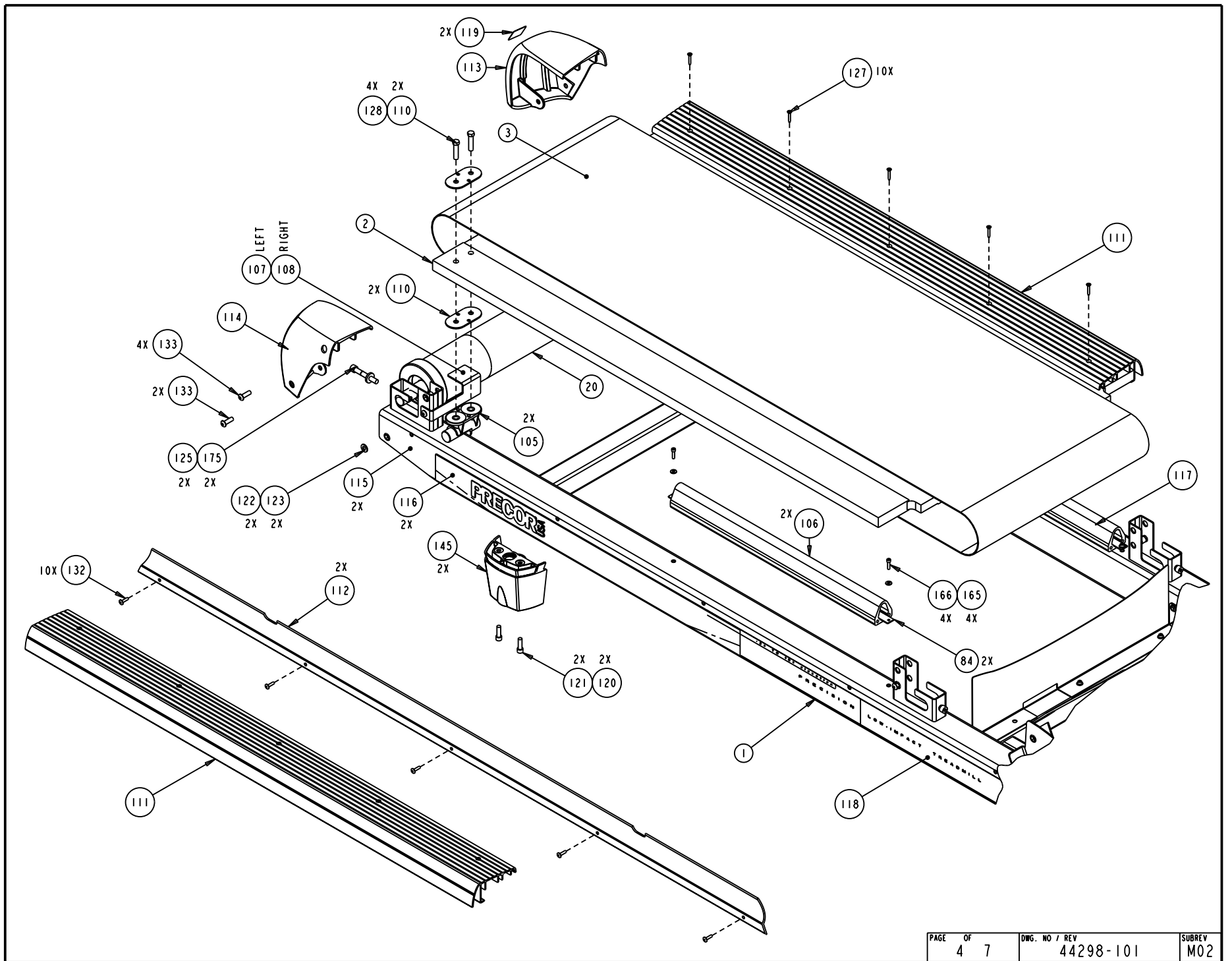
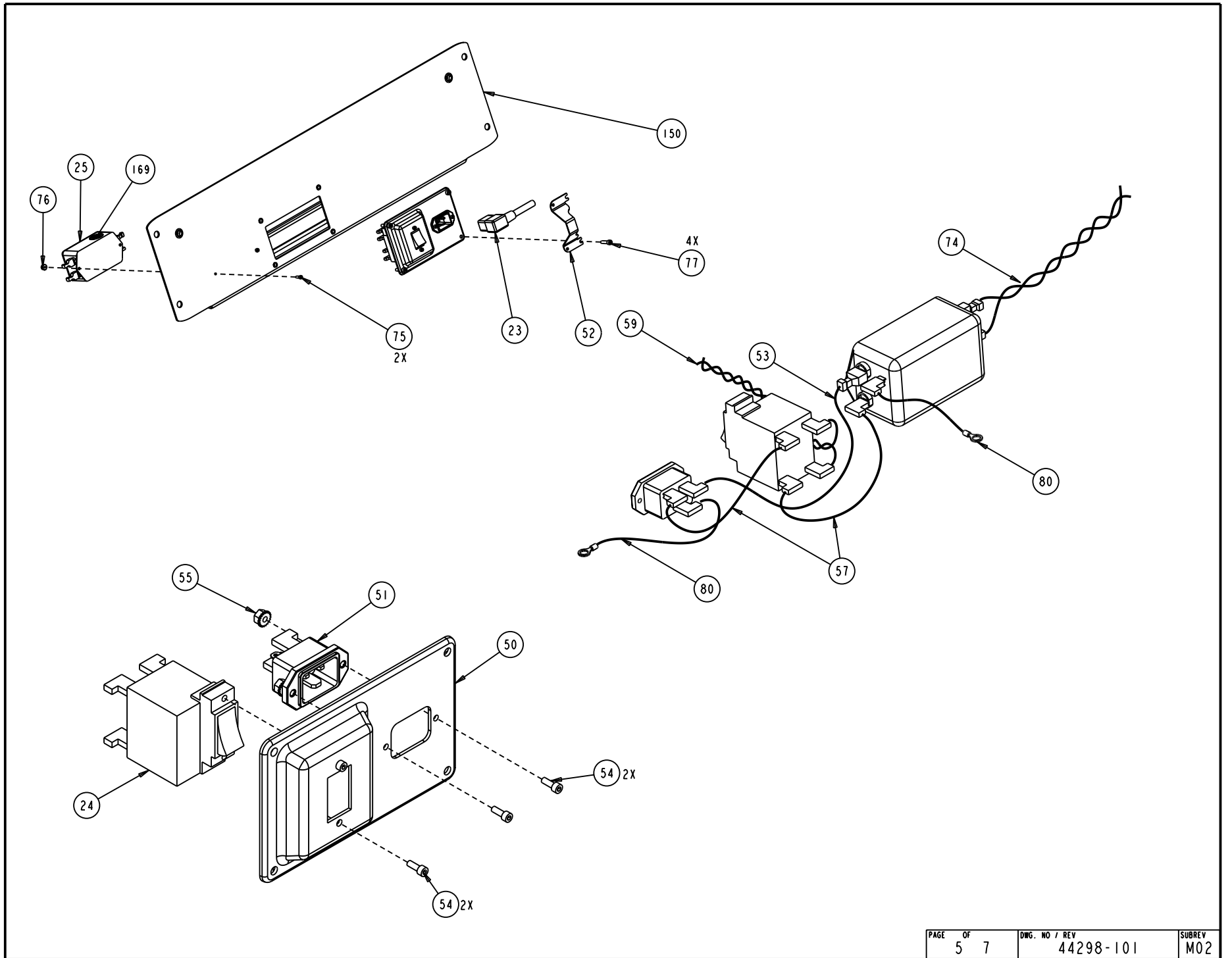


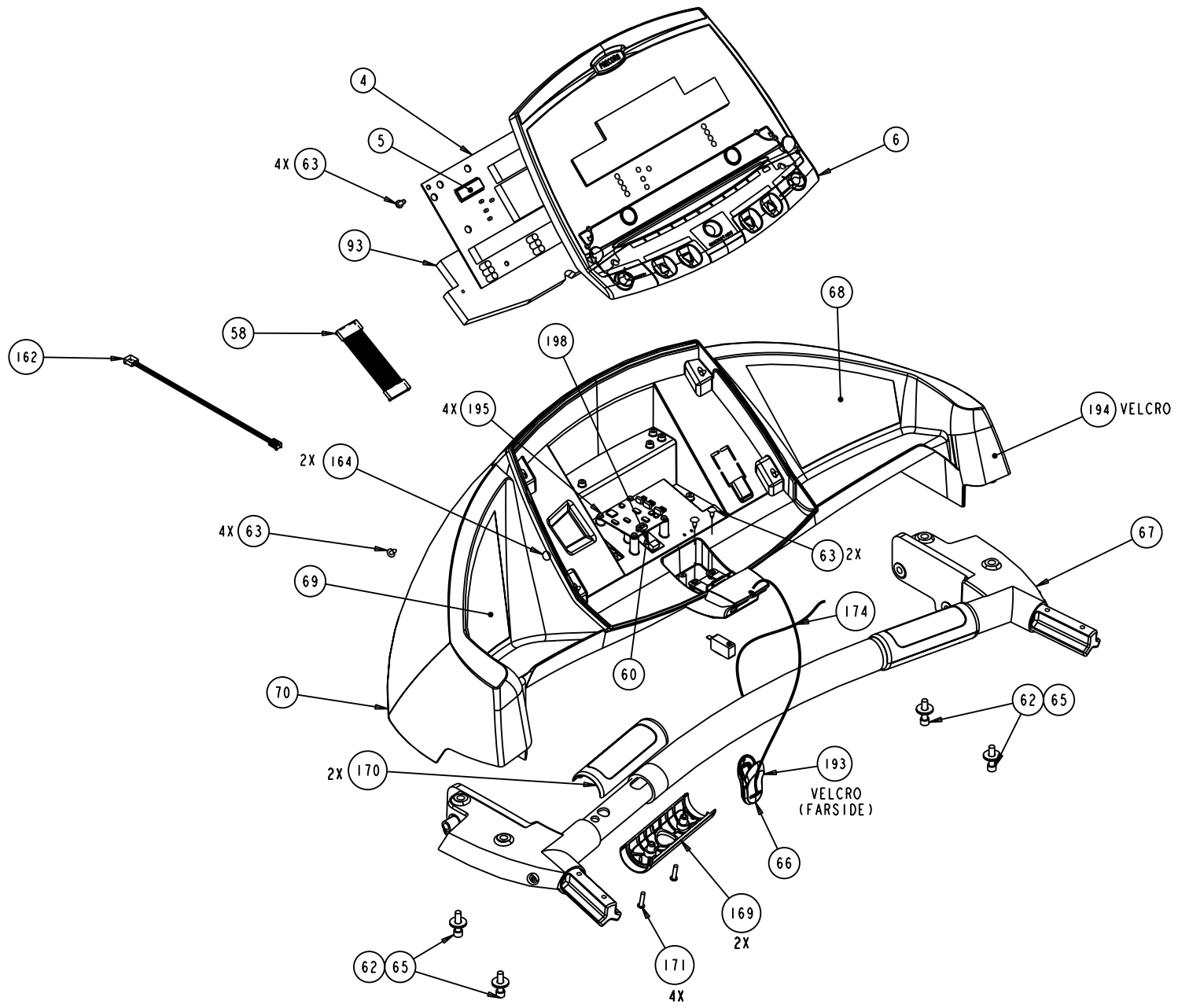
TREADMILL ASSEMBLY, C966	P/N: 44298-101	REV: M02
DRAWN BY: M.HAMILTON	DATE: 08.03.05	SHEET 1 OF 7

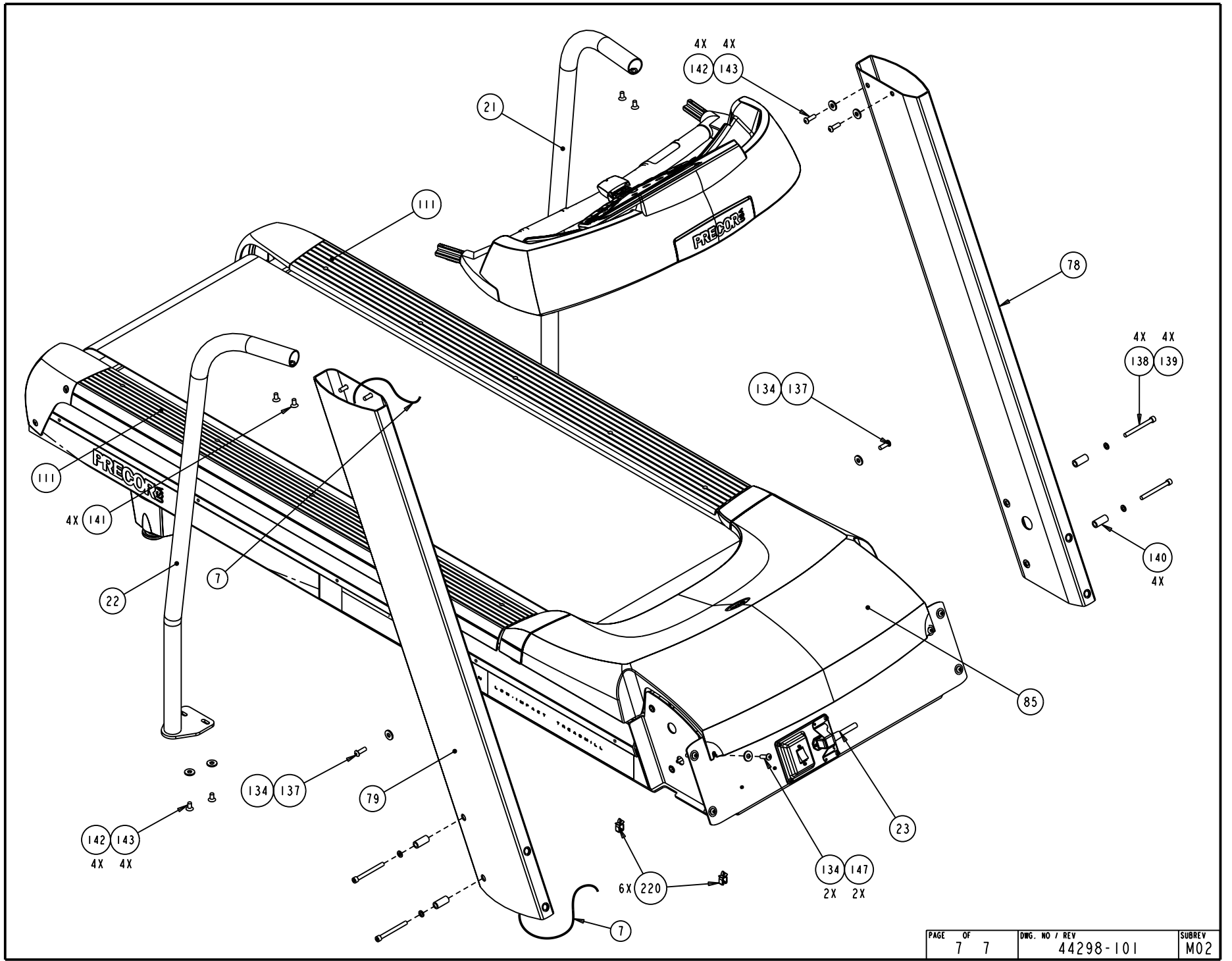












C966 (120 VAC) (serial code LJ, LL, MZ)

Part Number	Description	Bubble Number
59085-101	DECK ASSY WITH SHIPPER	2
36355-125	RUNNING BELT SIEGLING, 132.75 X 20	3
39006-502	PCA,DISPLAY,C2	4
45538-104	ASSY,PCA&SW,C966,UPR	4.01
45643-203	PROM,PGMD,C966,UPR,V2.03	5
45537-111	ASSY, DISPLAY, W/ LABEL, ENGLISH, C	6
44905-084	ASSY,CBL,MOD,8P8C,1-1,84"	7
59052-101	C95X ND LWR PCA, W/O SW, W/JUMPER	9
44223-103	ASSY, LOWER ELECTRONICS, C96X-ND	9.01
44217-101	ASSEMBLY, MOTOR/ FLYWHEEL	10
45618-024	ASSY,SENSOR,VANE,SR16C,24"L	11
44257-103	MOTOR, LIFT ACTUATOR, 120V	16
44214-102	ASSEMBLY, DRIVE ROLLER	19
44212-102	ASSEMBLY, TAKE-UP ROLLER	20
44218-101	WELDMENT, HANDRAIL, SHORT, LEFT	21
44218-102	WELDMENT, HANDRAIL, SHORT, RIGHT	22
47429-144	PWR CORD,125VAC,20A,NEMA 5-20RA45/I	23
10435-101	CKT BRKR,250V,MAGNETIC,ROCKER,	24
11224-102	FILTER,PWR LINE,250VAC,16A	25
44285-205	IC,CPU,PGMD,C96X-ND,LWR,V2.05	27
44411-102	TOUCHSENSOR SHIELD,23-KEY,T2/C2/T3/	35
44411-103	TOUCHSENSOR SHIELD,23-KEY,T2/C2/T3/	35
44275-102	MOUNT, CIRCUIT BREAKER, PLASTIC	50
45381-101	IEC 16/20A POWER CORD INLET	51
47252-101	90 DEGREE POWER CORD CLAMP, C95X.	52
45383-009	ASSY,CBL,1 COND,14AWG,QK DISC,FLAG,	53
CCNE013-038	SCREW, SKHD,6-32X3/8,SS,LK	54
KGCN013-011	LOCKNUT, STARWASHER 6-32, #6	55
44528-006	ASSY,CBL,1 COND,14AWG,QK DISC,6",BR	57
39029-501	ASSY,CABLE,TOUCHSENSOR	58
44532-024	ASSY,CBL,2 COND,22 AWG,MOLEX, 24"	59
43579-106	BOARD, CHR & WIRELESS/CONTACT PRIOR	60
WNKN031-009	WASHER, FLT, .753X.088,BLK ZN	61
WALCN025-006	WASHER, SPLIT LOCK, 1/4 MED,	62
PGKN016-050	SCREW,S/T,#8X1/2,TRS,PHIL,BLK	63
CAKN025-100	SCREW,SKHD,1/4-20X1,BLK ZN,LK	65
44202-104	ASSEMBLY, STOP BUTTON	66
45649-101	ASSEMBLY, HANDLEBAR, COMMERCIAL TRE	67
45636-101	LABEL, RIGHT, DASH,EN C966	68
45635-101	LABEL, LEFT DASH, EN, C966,C2/T2	69
39004-105	DASH,CONSOLE	70
44019-106	ASSEMBLY, REAR FOOT, C966	73
45273-023	ASSY, CABLE, FILTER TO TERMINAL BLK	74
CCNE013-038	SCREW, SKHD,6-32X3/8,SS,LK	75
KGCN013-011	LOCKNUT, STARWASHER 6-32, #6	76
CAKE019-075	SCREW, SKHD,10-24 X 0.75,BLK ZN,LK	77
44216-103	ASSEMBLY, TARGA, LEFT	78
44216-104	ASSEMBLY, TARGA, RIGHT	79
44534-008	ASSY,CBL,1COND,14AWG,QK DISC,8"	80

10178-107	BUSHING, SNAP	81
10217-134	BELT, DRIVE, 320J10 POLY V	82
33984-101	LABEL, SAFETY, GROUND SYMBOL	83
44074-103	STRAP, GFX TIE DOWN	84
44224-102	ASSEMBLY, HOOD	85
44279-101	FAN, C966-ND, 120V	86
44278-103	BRACKET, FAN MOUNT	87
41734-103	BRACKET, VANE SWITCH, MOUNTING	88
WACN019-005	WASHER, FLT, #10X.500X.049,ZN	92
WAMCN019-002	WASHER, LOCK, EXT TOOTH, #10	92
36192-101	BUSHING, SPANNER	94
44227-103	ASSEMBLY, LIFT,WELDMENT	95
44270-101	WHEEL, LIFT	96
CBKN019-038	SCREW,SKHD,10-32X.3/8,BLK ZN	97
44273-104	PIN, QUICK RELEASE	98
CAKN025-100	SCREW,SKHD,1/4-20X1,BLK ZN,LK	99
HCKN050-250	SCREW,HEX,GR 5,1/2-13X2-1/2,BLK ZN	100
KACN050-019	LOCKNUT,HALF,1/2-13,ZN	101
WBCN050-010	WASHER, FLT, 1/2, ID=.531,	103
44234-101	DECK PIVOT	105
44236-101	GFX CUSHION	106
44258-103	BRIDGE, LEFT, PAINTED	107
44258-104	BRIDGE, RIGHT, PAINTED	108
45532-101	BRACKET, MOTOR MOUNT	109
44263-101	PLATE, SPACER, DECK	110
44268-102	TRIM, DECK	111
44269-104	COVER, SIDERAIL	112
44272-107	ENDCAP, LEFT,PT,CHARCOAL	113
44272-108	ENDCAP, RIGHT,PT,CHARCOAL	114
44287-101	LABEL, SIDERAIL	115
44288-101	LABEL, METALLIC LOGO	116
45637-101	LABEL, SIDERAIL FRONT, LEFT	117
45637-102	LABEL, SIDERAIL FRONT, RIGHT	118
47962-101	LABEL, CAUTION, ENDCAP, SLATE GRAY	119
CAKN031-225	SCREW,SKHD,5/16-18X2.25,BLK ZN,LK	120
WBCN031-007	WASHER,FLT,5/16X.688X.065, ZN	121
CAKN031-100	SCREW,SKHD,5/16-18X1,BLK ZN,LK	122
WBCN031-007	WASHER,FLT,5/16X.688X.065, ZN	123
HCCN031-100	SCREW, HEX, GR 5, 5/16-18 X 1.0, ZN	124
CKKN038-250	SCREW,SKHD,3/8-24X2.50L,BLK ZN,.78	125
WABCN041-013	WASHER, FEN, 3/8, ID=.406,OD=1.50,T	126
DCKN019-150	SCREW, WOOD #10 X 1.50	127
HCCN038-150	SCREW,HEX,GR 5,3/8-16X1 1/2,ZN	128
KGCN031-027	LOCKNUT,STARWASHER,5/16-18,1/2	129
PKCN019-050	SCREW,S/T,#10X1/2,WSHHXHD,ZN	130
WAMCN019-002	WASHER, LOCK, EXT TOOTH, #10	131
TAKN019-075	SCREW,BTHD,10-24X3/4,BLK ZN	132
TCKN031-100	SCREW, BTNHD, 5/16-18 X 1, BLK ZN	133
WPNN038-008	WASHER,FLT,5/16X.875X.104,SS	134
10401-106	PIN,CLEVIS, 3/8 X 1.75, SILVER	135
44109-102	PIN, LIFT PIVOT, 2.00	135

10400-103	PIN, HITCH, .093 DIA, SILVER CAD, #	136
44109-103	PIN, LIFT PIVOT, 3.38	137
45669-102	PIN, LIFT PIVOT, 3.34, MUSHROOM HEA	137
CAKN031-350	SCREW,SKHD,5/16-18 X 3.50,BLK ZN,LK	138
WPNN033-005	WASHER,FLT,5/16X.562X.060,AN960C	139
44060-103	SPACER, TARGA BOLT, 2.500 L	140
MRNN025-100	SCREW, MCH,1/4-20X1,FLTHD,HEX	141
TCNN031-100	SCREW,BTHD,5/16-18X1, SS	142
WPNN038-008	WASHER,FLT,5/16X.875X.104,SS	143
TCNN031-100	SCREW,BTHD,5/16-18X1, SS	147
44226-101	ASSEMBLY, DRESS PLATE,CHARCOAL GRAY	150
44954-013	ASSY,CBL,HHR TO DISPLAY,13"	162
12157-102	BUMPER, RUBBER BUMPON, .44 X .20	164
CAKE019-075	SCREW, SKHD,10-24 X 0.75,BLK ZN,LK	165
WACN019-005	WASHER, FLT, #10X.500X.049,ZN	166
MGCE013-175	SCREW, MCH, 6-32X1-3/4, PANHD,NYLP	167
MGCE016-163	SCREW, MACHINE, 8-32 X 1-5/8, PHIL	167
MNCE016-050	SCREW, MCH, 8-32X1/2, FLTHD, PHIL	168
37436-101	LABEL, CHASIS NEUTRAL	169
42714-102	HHR SENSOR,BOTTOM	169
42713-102	HHR SENSOR, TOP	170
TCNN016-075	SCREW, BTHD, 8-32X.75,SS	172
CAKN011-025	SCREW, SKHD, #4-40X1/4, BLK ZN,LK	173
47342-018	ASSY, CABLE, HHR PCA TO GRIP, W/SH	174
WAVCN038-015	WASHER, FLAT, 3/8 X .875 X .150	175
12264-101	RJ-45 TELEPHONE JACK PLUG	180
45728-102	ENCLOSURE, UPPER	192
10762-110	VELCRO, BLACK HOOK,1.50 X 1.00	193
10762-109	VELCRO, BLACK LOOP,1.50 X 1.00	194
MGCN013-025	SCREW,MCH,6-32X1/4,PANHD,PHIL,	195
44201-103	SWITCH MOUNT, M9.5X,C95X	196
45283-011	ASSY,CBL,UPPER SAFETY SWITCH,11"	197
12259-102	SWITCH,MICRO,PLUNGER,SPNC	198
44289-102	HARDWARE KIT, C95X-ND,C966	200
10186-101	WRENCH, ALLEN, 5/32	201
10186-102	WRENCH, ALLEN, 1/4	202
10186-103	WRENCH, ALLEN, 3/16	203
10186-104	WRENCH, ALLEN, 5/16	204
11075-020	FUSE,200MA,250VAC,SLOW,RADIAL	205
11075-102	FUSE,1.00A,250VAC,SLOW,RADIAL	206
11075-105	FUSE,2.00A,250VAC,SLOW,RADIAL	207
50991-101	SLIK DECK AND DRYLUBE BELT CS KIT W	210
12414-101	CABLE CLAMP INSERT,SNAP IN	220
12103-101	CLAMP,CABLE,VINYL COATED	222
44465-004	ASSY,CLB,1C,,14 AWG,QK DISC,BLK, 4"	299
20002-106	BRUSH, MOTOR, PAC SCI, C960	990
44292-105	LITERATURE KIT, C966	999